

- Connect up to four EmpirBus™ slave modules
- Up to 100A continuous power distribution
- Optional secondary fuse protection available for ABYC fuse regulation compliance
- Robust integrated terminals in casing
- All terminals can be locked to casing
- Automatic detection of slave modules on power-up
- EmpirBus™ connection terminal
- Running indication
- Alarm indication for communication error
- Buttons for manual activation/deactivation of fuses on output modules
- Detachable terminals, 2,5mm², spring connection
- Large power supply terminals, 16mm²
- Wide range power supply, 9-32VDC



Features

The EmpirBus™ master unit consists a motherboard mounted in a casing with 4 slave module slots. The slave modules are automatically configured at power-on.

The unit has a red alarm indication LED that indicates if a communication error has occurred on the bus.

Two buttons on the unit makes it possible to turn off the outputs or restoring them to normal mode.

The master unit is available in several versions isolated or a non isolated both available with or without additional fuses.

On the isolated version the CAN-bus is galvanically separated from the unit. This makes it possible to connect units with different power supplies as 12 and 24VDC.

Available slave modules

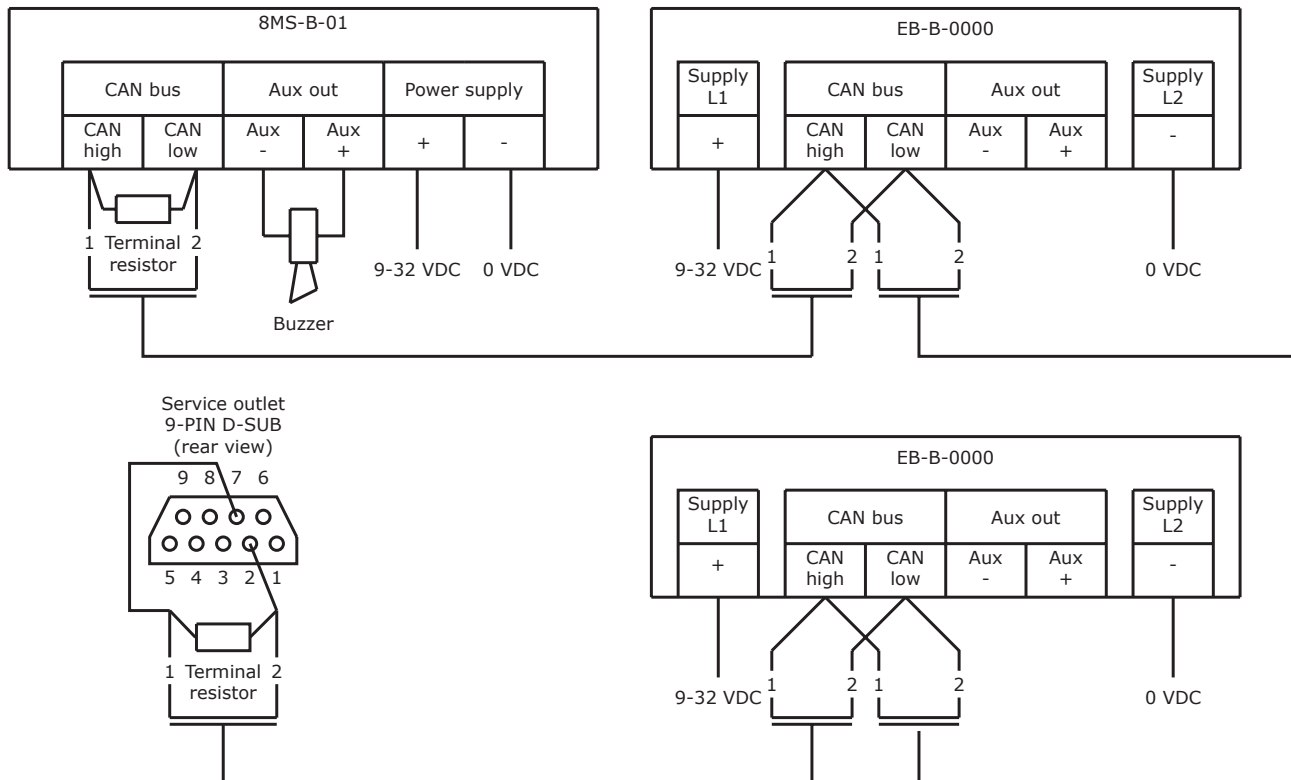
8DI-B-01	8 Digital Inputs pot. free signals
8DI-B-02	8 Digital Inputs +, - & pot. free signals
8DO-B-01	8 Digital Outputs
8DO-B-02	8 Digital Outputs with Fuse
4IS-B-01	4 Window Wipers
8RO-B-01	8 Relay Outputs (12VDC)
8RO-B-02	8 Relay Outputs (24VDC)
DU-B-01	Dimmer for Running Indications

MEMBER

ABYC[®]
Setting Standards for Safer Boating

www.empirbus.com

Connection



* 120 ohm terminal resistor must be connected at both ends of the bus

Specifications

Supply voltage:	9-32VDC	Running indication:	Green
Current consumption		Alarm indication:	Red
EB-B-0000-UTF/UTS:	200 μ A	Isolated CAN-Bus:	EB-B-0000-ITF and ITS only
EB-B-0000-ITF/ITS:	30mA	Casing dimensions:	177 x 123 x 65 mm
Max power supply/Unit:	100A		
Power supply terminals:	Rail terminal 16mm ²		
Ambient temperature:	-20 to +70 degrees Celsius		

Articles

Article no. Description

EB-B-0000-UTF	Non isolated Master Unit with fuses and terminal
EB-B-0000-ITF	Isolated Master Unit with fuses and terminal
EB-B-0000-UTS	Non isolated Master Unit with terminal
EB-B-0000-ITS	Isolated Master Unit with terminal



EmpirBus AB
Norra Drottninggatan 28
SE-451 31 UDDEVALLA
SWEDEN

Phone: +46 (0)522-44 38 00
Fax: +46 (0)522-44 38 99
info@empirbus.com

EmpirBus™