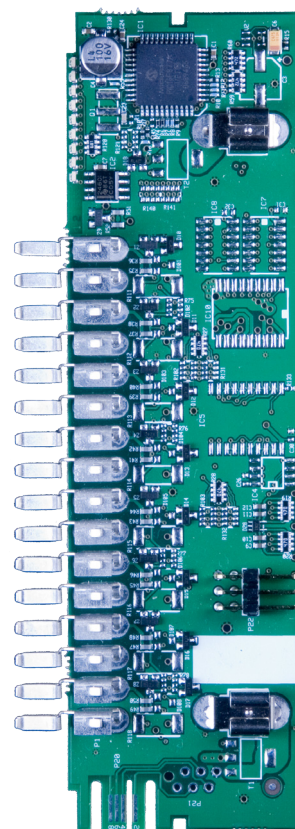


- 8 digital input channels
- For fixed or momentary switches
- Running indication and alarm indication
- Reduced amount of cabling since running and alarm indications are connected in parallel with switch
- Connect running and alarm indications without external resistor
- Main switch and interlock functions can be used to block any function
- Attach infrared detectors or magnetic switches directly for advanced burglar alarm
- Simple fuse reset function
- Dimmer function for running indications
- Time-on, time-off and touch protection delays available for all inputs
- Detachable terminals, 2.5mm², spring connection
- Wide range power supply, 9-32VDC



Features

Each module has 8 input channels. Each channel can be individually configured as fixed or momentary switch.

A separate light emitting diode (LED) can be connected in parallel with each switch for running/alarm indication. This feature reduces the amount of cables and eases the installation. The running indication can be controlled by any input or output in the system.

One input channel can control any number of outputs in the system.

Several types of time delays are available and one input can control several outputs with different delays.

Infrared detector signals and magnetic switches can be connected directly to the input channels to create a burglar alarm.

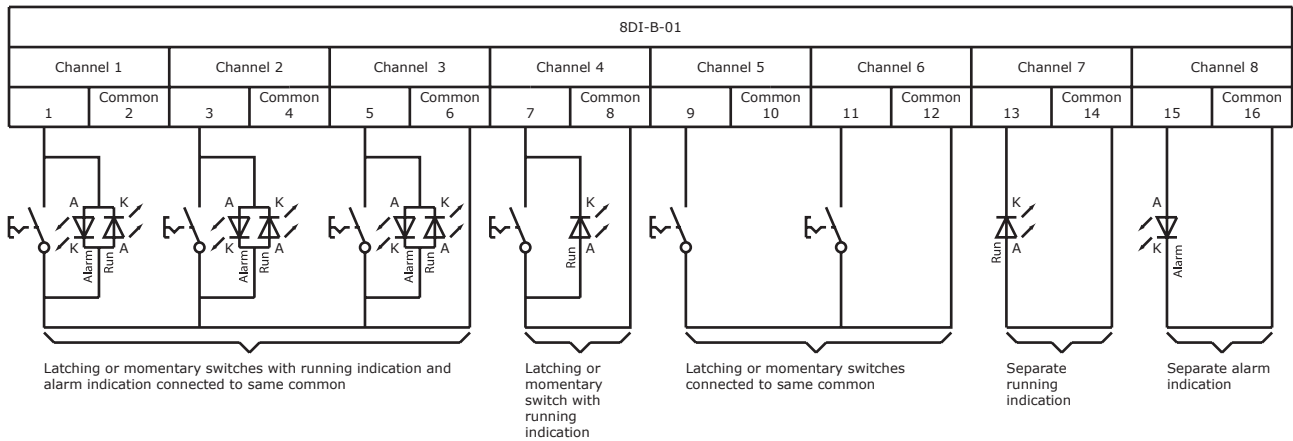
This EmpirBus™ slave module can only be used with the EmpirBus™ master unit.

MEMBER

ABYC[®]
Setting Standards for Safer Boating

www.empirbus.com

Connection example



Specifications

Inputs:	8 inputs
Running indication:	0-8mA, light intensity adjustable
Alarm indication:	8mA
Supply voltage:	9-32VDC
Current consumption	0,25mA
Ambient temperature:	-20 to +70 degrees Celsius
Dimensions:	132 x 35 mm

Articles

Article no.	Description
8DI-B-01	8 Channel Digital Input Module for pot. free signals
8DI-B-01-T	8 Channel Digital Input Module for pot. free signals with Terminal
8DI-B-01-T-B10	8 Channel Digital Input Module for pot. free signals with Terminal (10 pack)



EmpirBus AB
 Norra Drottninggatan 28
 SE-451 31 UDDEVALLA
 SWEDEN

Phone: +46 (0)522-44 38 00
 Fax: +46 (0)522-44 38 99
 info@empirbus.com

EmpirBus™